

Commercial Food Waste Treatment and Reduction System

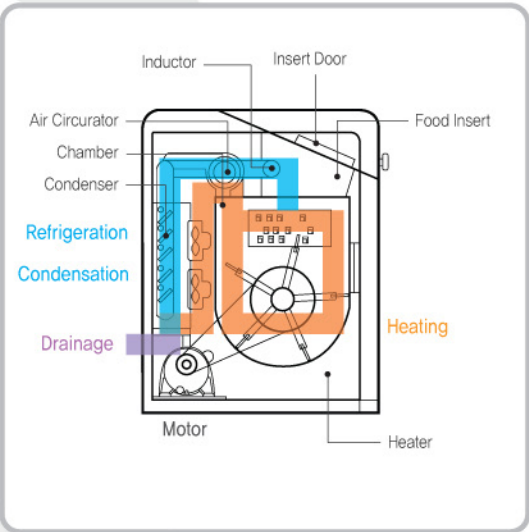


info@loofenireland.com

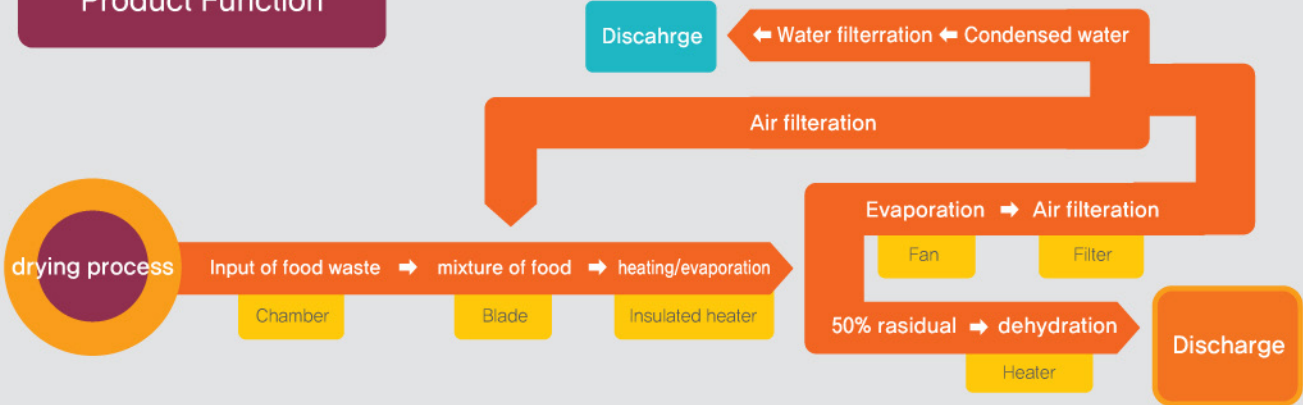
• Names of Parts / Interior



Food waste contains 80% of moist - reduces to 10-20% after desiccation



Product Function



Examples of installations



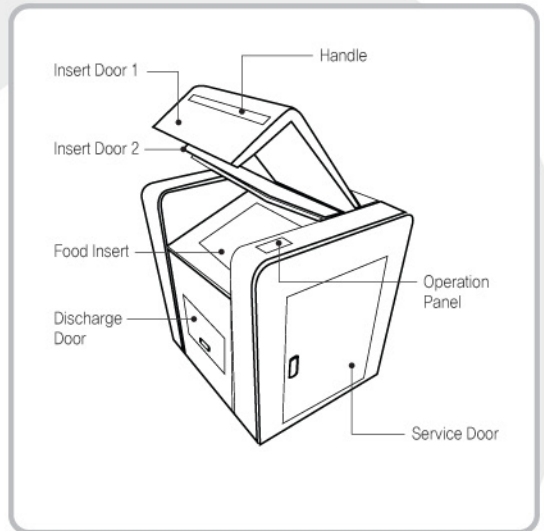
• Denny's Restaurant in US • Cheju National University Vessel Ara • Dongjin Oriental Clinic • Gachon University of Medicine and Science



• Wooseong character APT • Gongju Life Science High School • Oryang Elementary School • Korea Electric Power Corporation • 50th Infantry Division



• Names of Parts / Exterior



Easy, one-touch operation

- Digital sensing desiccation system operates at a touch of a button. (Up to 1-2 uses per day)
- Hassle-free, worry-free operation



Desiccation eliminates odor

- Eliminates odor through instant condensation method (complete sealing)
- Food waste reduces 80-90% in volume after desiccation



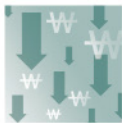
Hygiene food waste disposal

- Instant desiccation prevents food waste from decomposition
- Germ-free environment – heated desiccation treatment kills germs and bacteria



Award Winning, Environmentally Sound Design

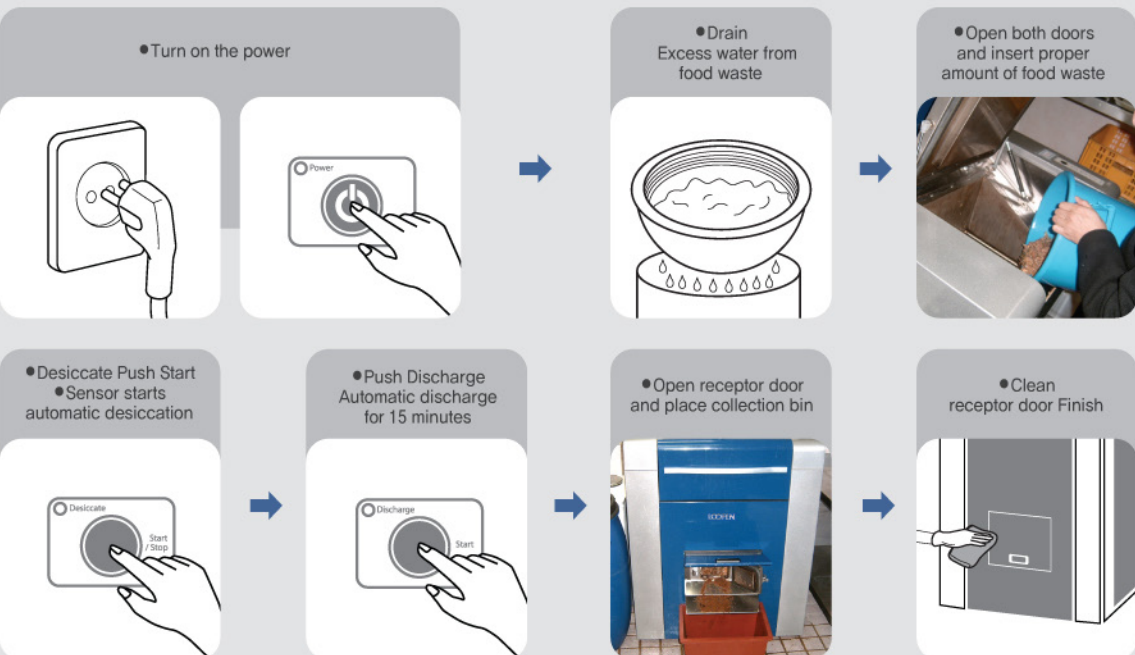
- Selected as Good Design product of 2004
- Promotes recycling of food waste as animal feed or fuel



Maintenance at Minimal Cost

- No filters to change or consumable materials to refill
- Designed for economic operation with minimal power supply (energy conservation with special LOOFEN sensor system)

• Using LOOFEN



Commercial Equipment for Complete Recycling System

